

Product Detail



Product Line:	Johnson (Click for customer service)
Part Number:	105-0853-001
Description:	Vertical Test Jack -Insulated Machined Contact
Product Family:	TEST JACK
For Use With:	.080 (2.00) Tip Plug
Body Material:	Nylon 6/6 per ASTM D4066
Breakdown Voltage:	3500 Vrms min.
Color / Finish:	Black
Contact Material:	Beryllium copper
Contact Finish:	Silver
Contact Termination:	Solder
Current:	5 amps
Desc 2:	Vertical
Description:	Insulated Machined Contact
RoHS Compliant:	Yes

20070523-1523

Vertical Test Jacks

Application • Test Points

Insulated: Machined Contact

SPECIFICATIONS:

Contact: Beryllium copper per QQ-C-530

Finish: Silver

Body: Nylon 6/6 per ASTM D4066

RATINGS

Current: 5 amps

Breakdown Voltage: 3500 Vrms minimum †

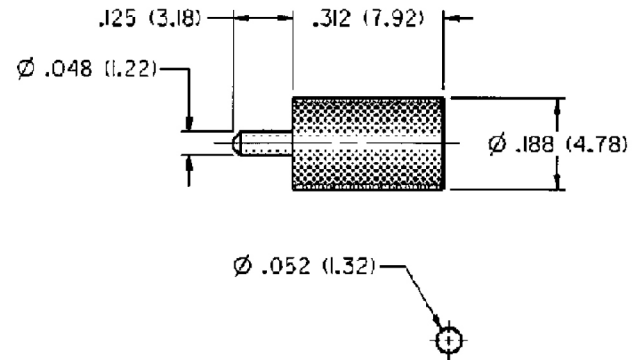
Contact Resistance: 0.010 ohms maximum

Adjacent Jack C: 1 pF maximum at 1 MHz

For Standard Tip Plug: .080 (2.00) Diameter

FEATURES:

- Contact protected from flux and solder
- Nylon UL approved for self extinguishing



MOUNTING HOLE LAYOUT

SILVER PLATING	
PART NO.	COLOR
105-0853-001	Black